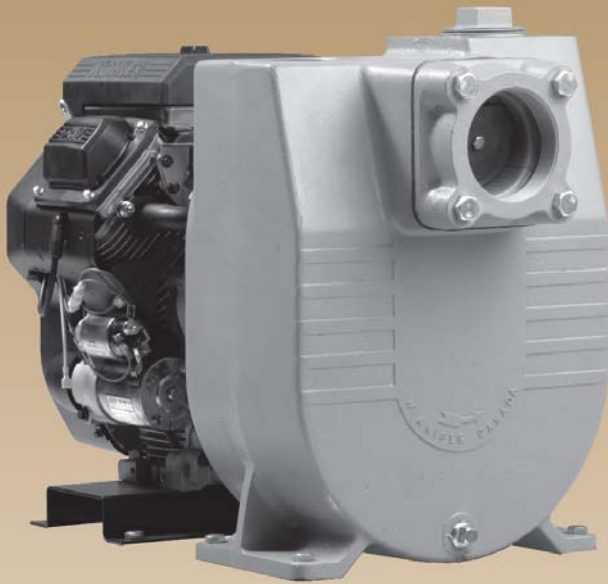


# Industrial

## MIG Series



### Applications

The Monarch MIG Series of heavy duty self priming pumps are of all iron construction and can be used in a wide variety of applications, including industrial and marine installations.

### Features

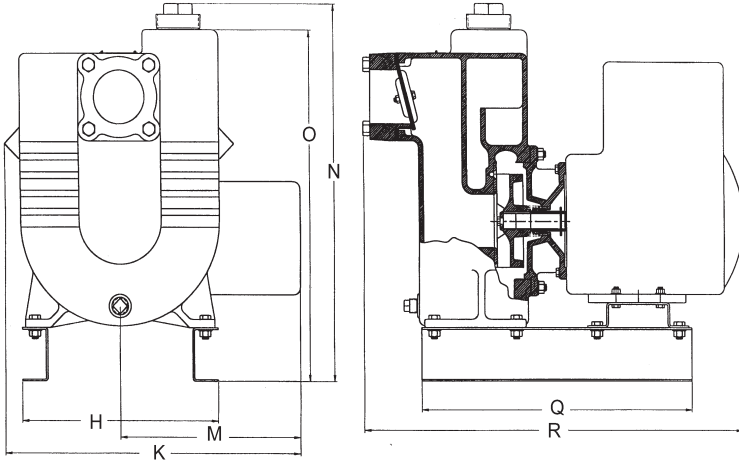
- **IMPELLER** – Semi open cast iron, non clogging, designed for water but can also handle small quantities of mud, sand or silt up to 10% by volume.
- **PRIMING PLUG** – Enables priming, without having to disconnect the discharge piping.
- **CHECK VALVE** – Built-in with threaded NPT suction inlet, prevents syphoning, facilitates priming.
- **SEAL** – Viton and stainless steel with carbon-ceramic faces, mechanical self lubricating, no maintenance required.
- **CASING** – Cast gray iron, rugged construction, large capacity for faster priming. Self cleaning interior design prevents silt build up.
- **WEAR PLATE** – Replaceable steel wear plate, for maintaining maximum pump efficiency.



MONARCH

**LittleGIANT®**  
Pumps. People. Partnerships.

## Dimensional Outline



Model No.	H	K	M	N	O	Q	R
MIG30-13V	12.75	20.35	11.61	18.00	15.85	-	23.07
MIG30-13H	12.75	17.25	11.50	17.50	15.85	-	24.60
MIG40-18K	15.50	17.74	8.87	28.25	26.31	21.37	29.95
MIG40-27K	15.50	17.74	8.87	28.25	26.31	21.37	29.95

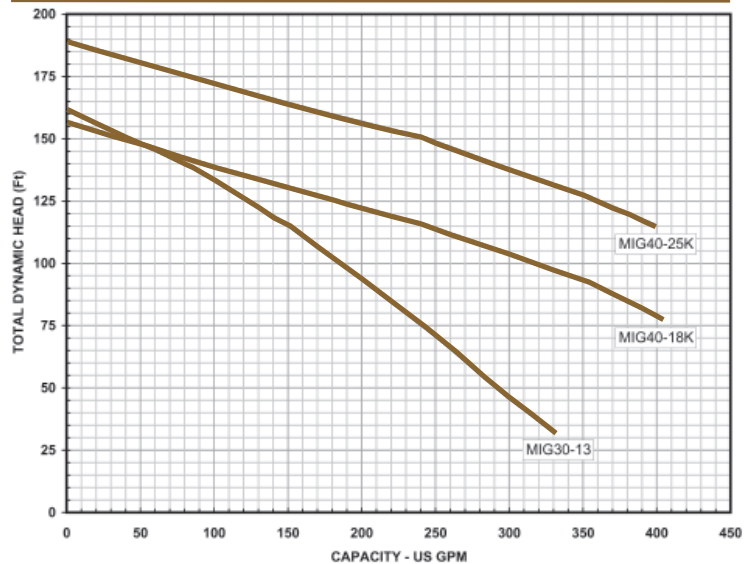
\*Dimensions measured in inches

## MIG Self Priming - Heavy Duty Cast Iron - Engine Driven Pumps

Model No.	Item No.	Engine	Size	Starter	HP	Fuel Tank	Low Oil Shut Off	Ship Wt. (lbs.)
MIG-30-13V	607712	Vanguard	3" x 3"	Recoil	13	7.5 qt.	YES	270
MIG30-13HES	607714	Honda 6X610	3" x 3"	Electric	13	6.9 qt.	YES	270
MIG40-18K	607715	Kohler	4" x 4"	Electric	18	-	YES	320
MIG40-27K	607720	Kohler	4" x 4"	Electric	27	-	YES	320

**Note:** Battery and cables, not included on electric start models. Fuel tank not included on 18 and 27 HP models.

## Performance Data



P.O. Box 12010  
 Oklahoma City, OK 73157-2010  
 Phone: 1.800.701.7894  
 Fax: 1.800.678.7867  
 www.LittleGiantPump.com